

CP 0951 NEEDLE SCALER

UTICA PNEUMATIC 532

FOURTH EDITION

JUNE, 1984

Supersedes Third Edition January, 1980

Instruction and Parts Book for **PNEUMATIC NEEDLE SCALER**

CP 0951 , Model "L"

**PROTECT YOUR INVESTMENT
IN THE WORLD'S FINEST AIR TOOLS
USE GENUINE CP REPLACEMENT PARTS**

The purchase of replacement parts for your CP tools deserves the same good judgment that resulted in the purchase of the tools themselves. Each genuine CP part is made from carefully selected and inspected material, subjected to sophisticated machinery and finishing processes

and heat-treated to produce just the right combination of hardness, ductility and impact resistance for its intended use. Each part is identical to, and made concurrently with, parts used in production tools. The use of parts other than genuine CP replacement parts can lead to sub-standard performance, early failure, possible damage of other parts and, in some instances, unsafe conditions.



TOOL DIVISION
Chicago Pneumatic

UTICA, NEW YORK 13501

NP-123946

GENERAL INSTRUCTIONS

Air Supply

For uniform performance, a regulated supply of clean, dry air at 90 psig (6.2 bar) air pressure AT THE TOOL is required. The use of a 3/8" air hose or larger with fittings of 9/32" minimum I.D. is recommended.

The use of a C-132193 CHICAGO PNEUMATIC Air Line Filter, C-104091 CHICAGO PNEUMATIC Pressure Regulator and a C-132198 Oiler is recommended.

Preparing for Operation

Daily, before using and before putting a new or an old Scaler into service, pour about one tablespoonful of recommended oil into the tool air inlet. Blow out air line to clear it of accumulated dirt and moisture, connect tool and operate on partial throttle to allow oil to be carried to interior of tool.

Lubrication

Daily, before using and after each four hours of operation, pour about one tablespoonful of recommended oil into tool air inlet and operate as outlined under "Preparing for Operation."

The use of a C-132198 CHICAGO PNEUMATIC Air Line Lubricator mounted at the end of each pipe leading to this pneumatic tool is recommended to assure a constant and adequate supply of oil to the cylinder.

Recommended Lubricants

CHICAGO PNEUMATIC Airoilene Oil which contains moisture absorbent, rust inhibiting additives and will not separate while the tool is idle, is recommended for use in this pneumatic tool and may be purchased under the following symbols:

1 pt. can	-----	P137646
1 gal. can	-----	P089507
5 gal. can	-----	P089508

The use of synthetic oils is not recommended because of possible damage to "O" rings, seals, hose and polycarbonate oiler/filter bowls.

If recommended oil is not available, use a spindle or turbine grade oil with a viscosity of 100-150 SUS at 100°F which contains a rush inhibitor.

Operating Cautions

Never operate Needle Scaler without needles in place. Always hold Needles against work before depressing Throttle Lever.

Always wear approved eye protection to avoid personal injury.

When using Needle Scaler, hold needles firmly against work, but do not press so hard that needles are prevented from hammering surface.

CAUTION: When operating tool to flush out gum and foreign matter, direct tool exhaust away from operator and co-workers.

Loss of Power/Erratic Action

Loss of power or erratic action may be caused by factors outside the tool proper. Make the following checks.

1. Check air pressure. For rated performance, 90 psig (6.2 bar) air pressure is required AT THE TOOL with the tool operating. A drop in air pressure may be caused by lowered compressor output, excessive draining on the air line or by the use of hose or connections of improper size or poor condition.

2. Check for wet or dirty air. Wet air tends to wash lubricant away from the cylinder and to rust and corrode the tool. Dirt and foreign matter in the air supply will impede action of the piston and cause damage to the tool.

If the above are in order, make the following checks on the tool itself.

1. Check lubrication. Disconnect tool and pour a liberal quantity of recommended oil out with an equal amount of kerosene into tool air inlet (see Operating/Safety Cautions). With needles in the tool and the needles against a firm support, operate tool on a partial throttle to flush out gum and foreign matter.

2. Check mechanical parts of tool. Disassemble tool and check for plugged air porting and for worn parts.

Replace worn or broken parts, relubricate and reassemble tool.

To Replace Needles

1. Remove Safety Band (Index No. 77) from the groove and unscrew the Lock Ring (Index No. 35).
2. Remove the Needle Support (Index No. 69) by pulling out the Needles (Index No. 75).
3. Extract the needles. The needles must be changed whenever damaged during operation.
4. After changing needles, assemble in the reverse order.

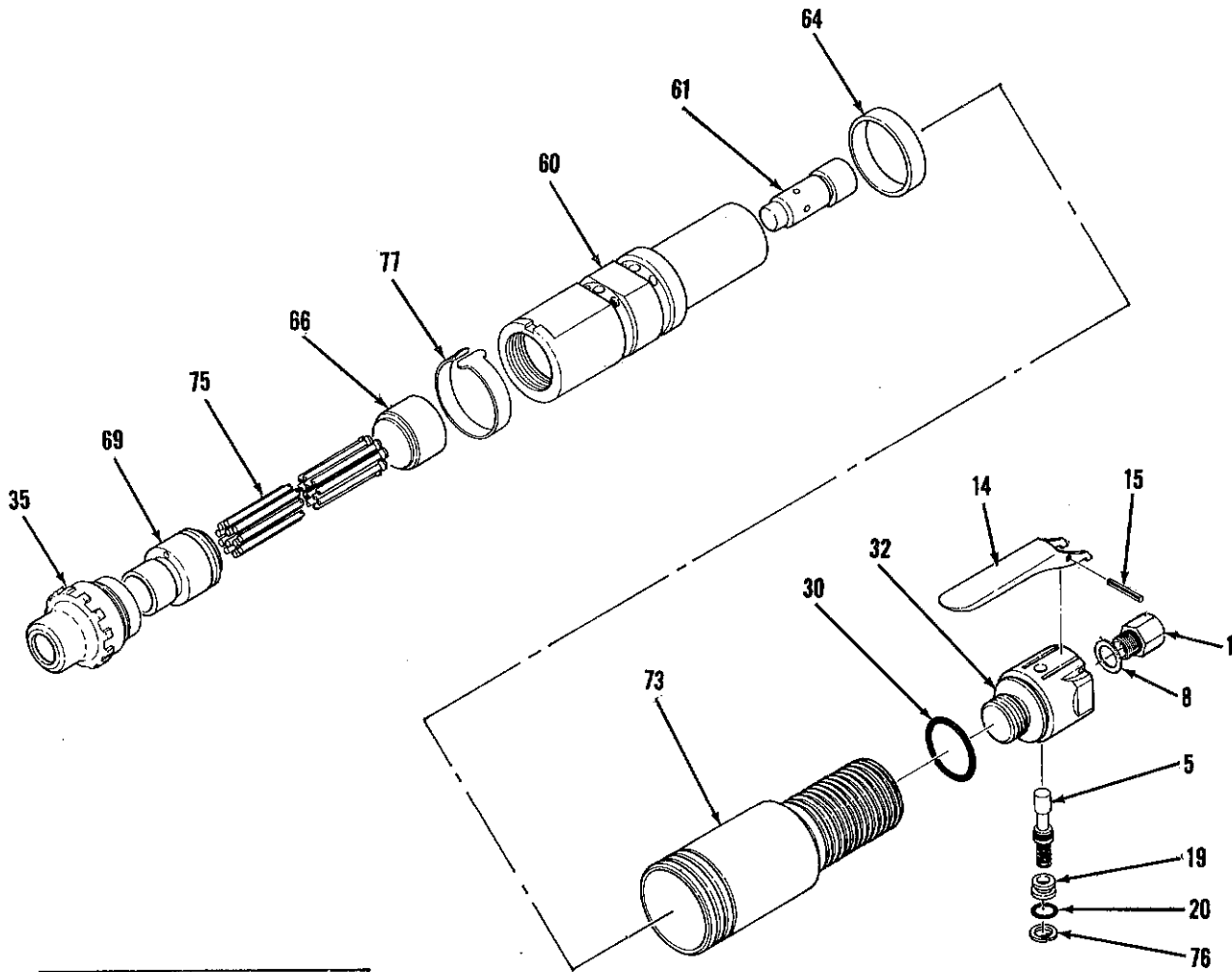
Disassembly

1. Remove needles (Index No. 75) and Needle Support (Index No. 69) as outlined above.
2. Remove Cover (Index No. 73) from Cylinder (Index No. 60).
3. Hold flats on Cylinder (Index No. 60) in a vise and unscrew Valve Body (Index No. 32) from cylinder.
4. Remove Piston (Index No. 61) and Stopper (Index No. 64) from Cylinder.
5. Remove 'O' Ring (Index No. 30) from Valve Body.
6. Remove Retaining Ring (Index No. 76), 'O' Ring (Index No. 20) and Throttle Valve Assembly (Index No. 5) from Valve Body.
7. Unscrew and remove Air Inlet Bushing (Index No. 1) and Bushing Gasket (Index No. 8) from Valve Body.
8. Drive Roll Pin (Index No. 15) out of Valve Body and remove Throttle Lever.

Assembly

1. Place Throttle Lever on Valve Body (Index No. 32) and secure in place with Roll Pin (Index No. 15).
2. Place Bushing Gasket (Index No. 8) in Valve Body (Index No. 32) and secure in place with Air Inlet Bushing (Index No. 1).
3. Place Throttle Valve Assembly (Index No. 5), Spring Seat (Index No. 19) and 'O' Ring (Index No. 20) in Valve Body; secure in place with Retaining Ring (Index No. 76).
4. Install 'O' Ring (Index No. 30) in groove on Valve Body.
5. Place Stopper (Index No. 64) on Cylinder (Index No. 60) and insert Piston (Index No. 61) into Cylinder.
6. Holding Cylinder on flats, screw Valve Body (Index No. 32) into Cylinder tightly.
7. Place Cover (Index No. 73) on Cylinder.
8. Install Anvil (Index No. 66) into Cylinder with flat side toward Needle Support.
9. Assemble Needles (Index No. 75) into Needle Support (Index No. 69) and insert into Cylinder.
10. Screw Lock Ring (Index No. 35) onto Cylinder and install Safety Board (Index No. 77).

CP0951 NEEDLE SCALER Model "L"



All Threads Are Right Hand Unless Otherwise Specified.

Index No.	CP Part No.	Description	No. Req'd
1	NP123898	Bushing-Air Inlet (M16 x NPTF 3/8")	1
5	NP138044	Throttle Valve Assembly	1
8	NP123899	Gasket-Bushing	1
14	NP131783	Throttle Lever Assembly (Incl. Index No. 15)	1
15	NP123891	Pin-Roll	1
19	NP138045	Seat-Spring	1
20	NP138046	"O" Ring (S-10)	1
30	C136799	"O" Ring (G-30)	1
32	NP138047	Body-Valve	1
35	NP138048	Ring-Lock	1

Index No.	CP Part No.	Description	No. Req'd
60	NP138049	Cylinder Assembly	1
	C132813	Wrench-Spanner	1
61	NP123887	Piston	1
64	NP138050	Stopper	1
66	NP123882	Anvil	1
69	NP138051	Support-Needle (3MM)	1
73	NP138052	Cover	1
75	NP123901	Set-Needle (3MM) (Consists of 12 Steel Needles)	1
76	NP138053	Ring-Retaining (C-12)	1
77	NP138054	Band-Safety	1

Maintenance

Do not penalize the operator by requiring him to use a tool which is not in first class condition. Regular inspection and immediate repair or minor faults will avoid more extensive future repairs and maintain the tool at its highest efficiency.

1. Keep tool properly lubricated.
2. Provide 90 psig (6.2 bar) of clean, dry air AT THE TOOL.
3. Set up and maintain a repair and replacement program scheduled at regular intervals.

Avoid storing the tool in a location subject to high humidity. If the tool is left as it is used, residual moisture on the inside can cause rusting. Before storing, and after operation pour about one teaspoonful of recommended oil into the tool air inlet and run for a short time.

When ordering spare parts, give Name, Speed or Size, Model and Serial Number of the tool and Part Number and Description of each part desired.

Chicago Pneumatic's Worldwide Operations

CHICAGO PNEUMATIC TOOL DIVISION, 2200 Bleecker St., Utica, N.Y. 13501 (50M+) (TELEX 937331) 315-792-2690

(Mfrs. Of Air Powered Industrial Tools: Air Feed Drills, Balancers, Chippers, Drills, Grinders, Hammers, Impact Wrenches, Motors, Pumps, Rammers, Riveters, Sanders, Scalers, Screwdrivers, Tappers, Winches, Air-Powered Portable Construction Tools, Automatic Systems For The Torque-Controlled Driving Of Threaded Fasteners, Electronic Monitoring Equipment)

(Ca. 'Airtools,' Utica, NY) (Brs. At Atlanta, GA; Chicago, IL; Cincinnati, OH; Dallas, TX; Denver, CO; Detroit, MI; Houston, TX; Los Angeles, CA; New York (So. Hackensack NJ; St. Louis, MO) (P.) G. Bloom; (V.P., Sales & Mktg.) H. L. Henkel; (G.S.M. Ind.) J. A. Gray

U.S. Sales and Factory Service Locations

ATLANTA 517 Armour Circle, N.E. Atlanta, GA 30324	404-874-8692 800-241-8741 outside Georgia
CHICAGO P.O. Box 1508 608 Country Club Dr. Bensenville, IL 60106	312-595-8600 800-323-1046 outside Illinois
CINCINNATI P.O. Box 15640 10361 Spartan Dr. Cincinnati, OH 45215	513-771-0260 800-582-2635 in Ohio 800-543-7449 outside Ohio
*DENVER 2485 West 2nd Ave. Denver, CO 80223	303-922-6311
HOUSTON 4930-K Dacoma St. Houston, TX 77092	713-688-0111 800-392-9746 in Texas 800-231-2910 outside Texas
LOS ANGELES P.O. Box 7119 6935 Bandini Blvd. Los Angeles, CA 90022	213-726-6821 800-372-6211 in California 800-423-4043 outside California
NEW YORK P.O. Box 2346 80 Wesley St. So. Hackensack, NJ 07606	201-488-4362 800-631-1546 outside New Jersey

*Service center only
**Sales office only

U.S. Manufacturing Plants

UTICA 2200 Bleecker St. Utica, N.Y. 13501	DETROIT 5500 Eighteen Mile Rd. Sterling Heights, MI 48078
--------------------------------------------------------	------------------------------------------------------------------------

If you would like a "hands-on" demonstration or an on-the-job trial, call your local CP Industrial Air Tool Distributor. He's listed in the yellow pages under "Tools, Pneumatic," and he carries a large stock of the CP tools you need.

Overseas Operations

Australia
CONSOLIDATED PNEUMATIC TOOL CO., (AUST.) PTY., LTD.
75 Charles St., North Coburg, Victoria 3058
TELEX 790-32309 TELEPHONE 613-35-3201

Belgium
CHICAGO PNEUMATIC TOOL COMPANY, S.A.
63 Rue du Marche, 1000 Brussels
TELEX 848-61497 TELEPHONE 217-6899

Brazil
CHICAGO PNEUMATIC COMERCIAL LTDA.
Rue Marconi 34-70-CJ73
Caixa Postal 01047, Sao Paulo
TELEX 34230 TELEPHONE 255-2523

Canada
THE CANADIAN PNEUMATIC TOOL COMPANY, LTD.
23 Tortoise Crescent, Toronto, Ontario M8Z 1B5
TELEX 0698-4619 TELEPHONE 418-252-6941

France
S.A.F. CHICAGO PNEUMATIC
3, Avenue Maurice Ravel, 92167 Antony, Paris
TELEX 842-1-200502 TELEPHONE 33-666-8001

Germany
CHICAGO PNEUMATIC EUROPE
C/O PREMAG, G.m.b.H.
6222 Geisenheim/Rhein, Postfach 1170, West Germany
TELEX 841-42120 TELEPHONE 49-6722-8074

India
CONSOLIDATED PNEUMATIC TOOL CO., (INDIA) LTD.
301 Lal Bahadur Shastri Marg, Mulund, Bombay 400 080
TELEX 953-0113490 TELEPHONE 59-2274

Italy
CONSOLIDATED PNEUMATIC TOOL COMPANY, S.p.A.
Via Canova 6, 20094 Corsico (MI.)
TELEX 843-313526 TELEPHONE 39-246-83146

Japan
CHICAGO PNEUMATIC TOOL CO., LTD.
Hirakawacho Bldg., 2-6-1 Hirakawa-Cho, Chiyoda-Ku, Tokyo 102
TELEX 523791 TELEPHONE 0-3-239-1661

Mexico
CHICAGO PNEUMATIC DE MEXICO, S.A.
Gral. Sostenes Rocha No. 28, Col. Magdalena Mixhuca, Mex. 6, D.F.
TELEX 017-71-270 TELEPHONE 905-768-7744

Singapore
CONSOLIDATED PNEUMATIC TOOL COMPANY, LTD.
G Unit I, 601 Sims Dr., Singapore 1438
TELEX RS-23016-01165-220 TELEPHONE 295-2822

South Africa
CONSOLIDATED PNEUMATIC TOOL CO., S.A. (PTY.) LTD.
P.O. Box 105, Isando, Transvaal, South Africa
TELEX 851-73242 TELEPHONE 27-11-368-761

United Kingdom
CONSOLIDATED PNEUMATIC TOOL CO., LTD.
97-107 Uxbridge Rd., London W5 5TP, England
TELEX 851-21311 TELEPHONE 441-567-3411

For countries not listed above, contact:

Latin America
CHICAGO PNEUMATIC INTERNATIONAL, INC.
6 E. 44 St.
New York, New York 10017
TELEX 1-25021 TELEPHONE 212-850-6960

Asia/Pacific/Africa
CHICAGO PNEUMATIC TOOL CO.
Asia/Pacific/Africa Trade Office
97-107 Uxbridge Rd., London W5 5TP, England
TELEX 851-21311 TELEPHONE 011-44-1-567-3411

Europe
CHICAGO PNEUMATIC EUROPE
C/O PREMAG, G.m.b.H.
6223 Geisenheim/Rhein, Postfach 1170, West Germany
TELEX 841-42120 TELEPHONE 49-6722-8074



TOOL DIVISION
Chicago Pneumatic
UTICA, NEW YORK 13501