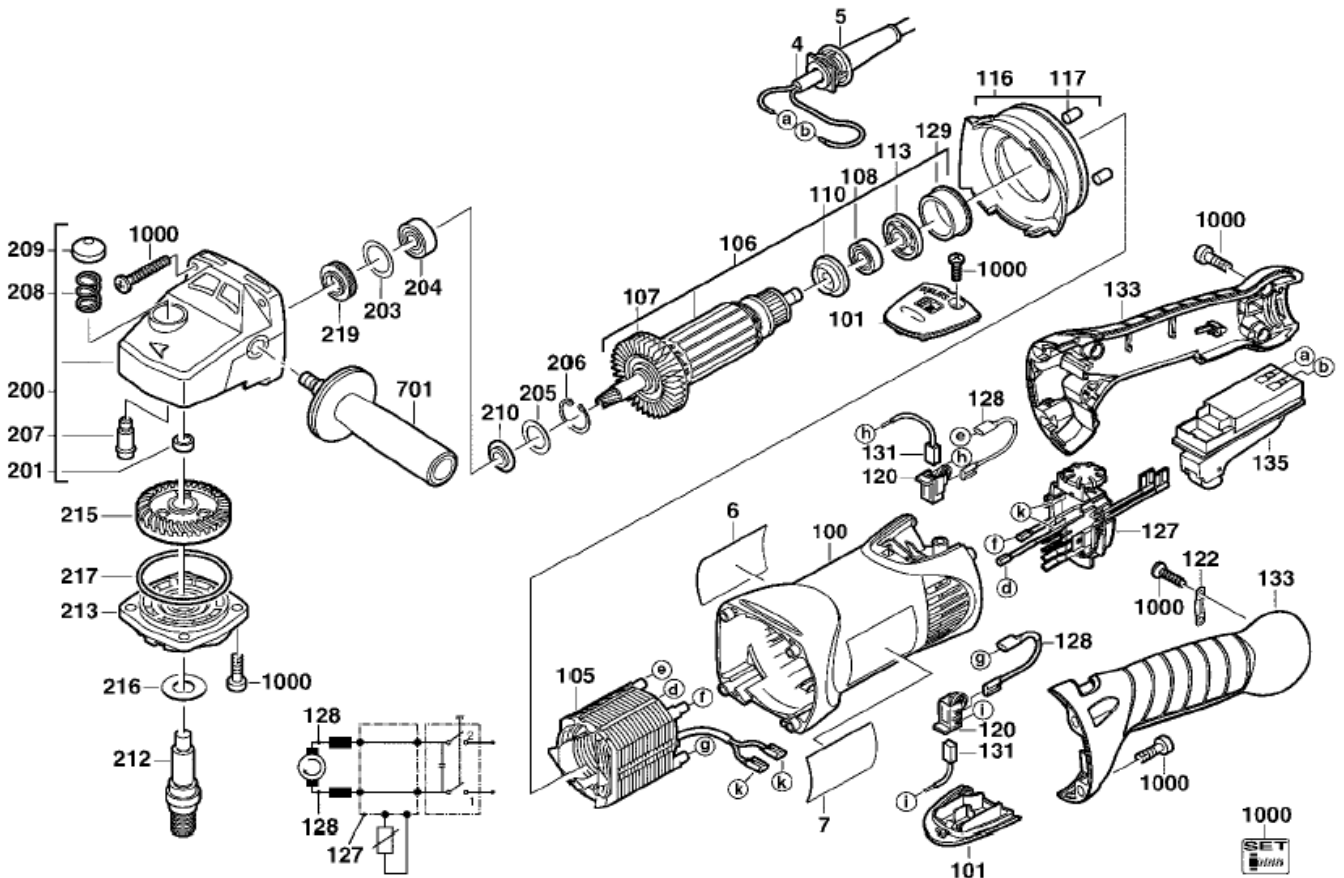


A CP8210E
B CP8210



No.	Part No.	Description	Qty	No.	Part No.	Description	Qty
4a	6159175160	CONNECTION CABLE	1	133ab	6153031350	SWITCH HANDLE	1
4b	6159175180	CONNECTION CABLE	1	135ab	6159155150	SWITCH	1
5ab	To be advised	PROTECTING COVER	1	200ab	6153965880	GEAR BOX	1
6a	6158727660	RATING PLATE	1	201ab	6157850920	SLEEVE	1
6b	6158727490	RATING PLATE	1	203ab	6156400830	WASHER	1
7ab	6158727650	NAME PLATE	1	204ab	6157581330	GROOVED BALL BEARIN	1
100ab	6155652780	MOTOR HOUSING	1	205ab	6155820600	DISC	1
101ab	6155652790	COVER	2	206ab	6156870640	LOCKING RING	1
105ab	6154280130	ELECTRIC FIELD	1	207ab	6156140860	LOCKING BOLT	1
106ab	6153965640	ARMATURE	1	208ab	6156900950	PRESSURE SPRING	1
107ab	6155571070	FAN	1	209ab	6153120930	PUSH-BUTTON	1
108ab	To be advised	BALL BEARING	1	210ab	To be advised	SEAL RING	1
110ab	6155820580	INSULATING DISC	1	212ab	6155801610	SPINDLE	1
113ab	6155820590	MAGNETIC DISC	1	213ab	6156452210	BEARING END PLATE	1
116ab	6155571080	AIR DEFLECTOR RING	1	215ab	6154841570	WHEEL	1
117ab	6155652800	HOLDING-DOWN DEVICE	2	216ab	6156452220	DISC	1
120ab	6155840160	BRUSH HOLDER	2	217ab	6156582930	O-RING	1
122ab	6152630180	CABLE COLLAR	1	219ab	6155571090	GREASE RETAIN. DISC	1
127ab	6154570480	ELECTRONIC ELEMENT	1	701ab	6153031360	HANDLE	1
128ab	6159174970	WIRE	2	1000ab	6156140870	BOLT SET	1
129ab	6155751190	BEARING SLEEVE	1				
131ab	6159155170	CARBON BRUSH	1				