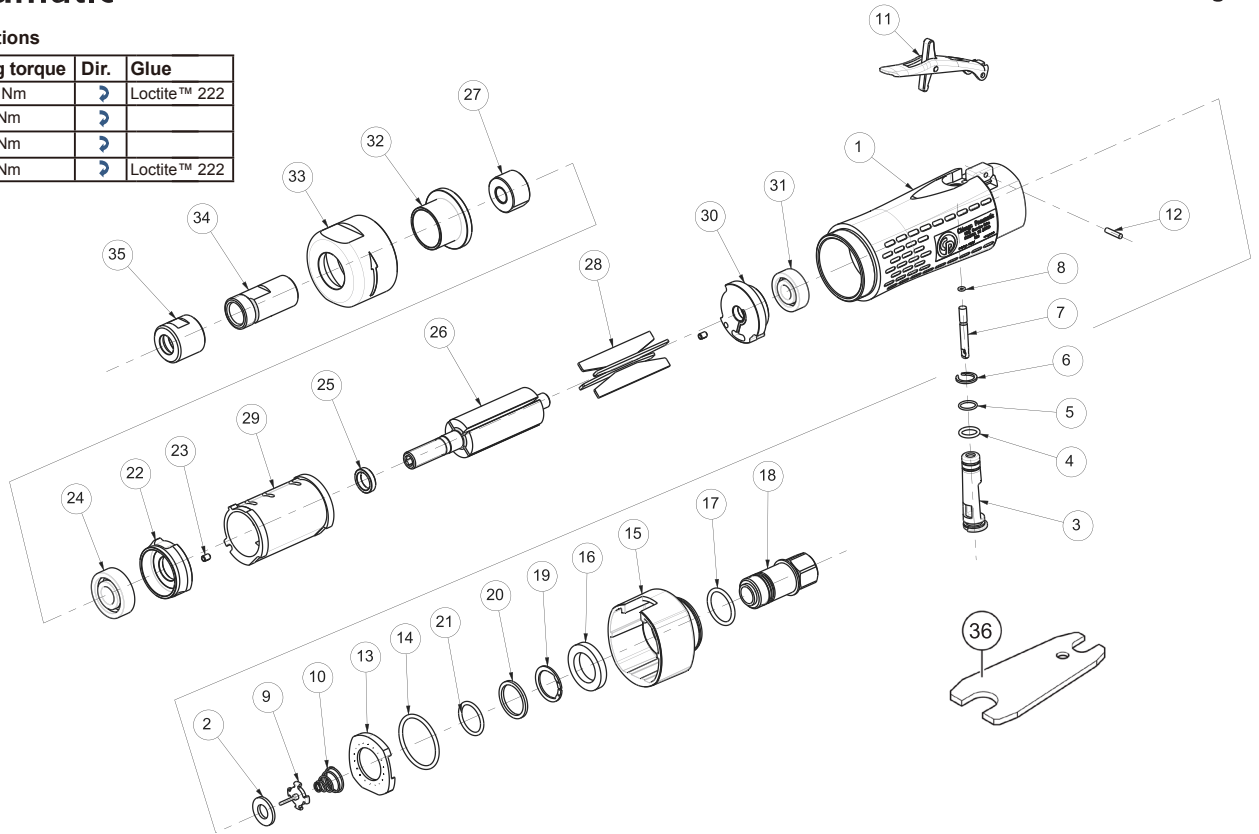



Assembly instructions

Item #	Tightening torque	Dir.	Glue
01-18	7,5 ft.lb - 10 Nm	➤	Loctite™ 222
34-26	11 ft.lb - 15 Nm	➤	
27-26	11 ft.lb - 15 Nm	➤	
01-33	11 ft.lb - 15 Nm	➤	Loctite™ 222



Part No	Part Ref	Description	Qty
A	2050547823	REGULATOR ASSEMBLY	
	3	REGULATOR	1
	4	O-RING 8.1x1.6	1
	5	O-RING 8x1	1
	6	SPRING RING WR9	1
	7	VALVE STEM	1
	8	O-RING 2x1	1
B	2050546343	VALVE KIT	
	9	TIP VALVE	1
	10	SPRING	1
C	2050547893	FRONT PLATE ASSEMBLY	
	22	FRONT PLATE	1
	23	PIN SPRING 3x4	1
	24	6157580520 BEARING 10x26x8	1
	25	WASHER	1
D	2050547903	REAR PLATE ASSEMBLY	
	23	PIN SPRING 3x4	1
	30	REAR PLATE	1
	31	6157581380 BEARING 8x22x7	1
E	2050547913	MOTOR ASSEMBLY	
	C	2050547893 FRONT PLATE ASSEMBLY	1
	D	2050547903 REAR PLATE ASSEMBLY	1
	26	6154261240 ROTOR	1
	28	2050547803 BLADES (SET OF 4)	1
	29	6154001510 CYLINDER	1

Index No	Part Ref	Description	Qty.
F	2050546413	SMALL PARTS KIT	
	6	SPRING RING WR9	1
	8	O-RING 2x1	1
	12	NEEDLE 2.5x11.8	1
	14	O-RING 27x2	1
	17	O-RING 17x2	1
	19	RING	1
	20	SPACER	1
	21	O-RING 15.6x1.78	1
G	2050547923	TUNE-UP KIT CP3000-5..., CP3030-5..	
	2	SEAL	1
	16	FELT	1
	22	PAPER GASKET	1
	28	2050547803 BLADES (SET OF 4)	1
	1	2050547813 HANDLE ASSY (incl. Part # 15)	1
	11	2050541493 SAFETY LEVER	1
	13	6155740700 AIR CONTROL RING 15 000RPM	1
		6155740720 AIR CONTROL RING 18 000RPM	1
		6155740740 AIR CONTROL RING 20 000RPM	1
	15	REAR CAP	1
	18	2050542533 INLET ASSY	1
	27	6156080510 ROTOR NUT	1
	32	6154600430 BLOCK PLATE	1
	33	6156731440 COVER	1
	34	6155230230 COLLET HOLDER SIAL 200	1
	35	6156071540 COLLET NUT SIAL200	1
	36	2050548193 SPANNER	2
		6158727980 WARNING STICKER	1

	2050544623	EC declaration
	6159948750	Safety instructions
	2050543813	Operator's manual

Recommended collets

1/8" (2,4 to 3,2mm) 200 series	6155260610
2-1/4" (5,2 to 6mm) 200 series	6155260620
1/4" (5,55 to 6,35mm) 200 series (included)	6155260630
5/16" (7,2 to 8mm) 200 series	6155260640
3/8" (8,7 to 9,5mm) 200 series	6155260650